



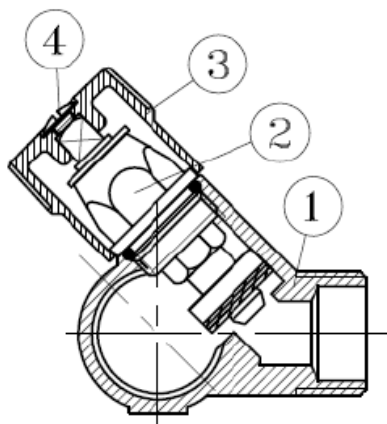
MANIFOLD WITH MALE OFFTAKES AND OBLIQUE VALVE



TECHNICAL SPECIFICATIONS

MAX WORKING TEMPERATURE	100°C (212°F)
MAX WORKING PRESSURE	10 BAR
AVAILABLE VERSIONS	3/4" x 1/2" Ø 16 3/4" x 1/2" Ø 15 FLAT SEAT

MATERIALS

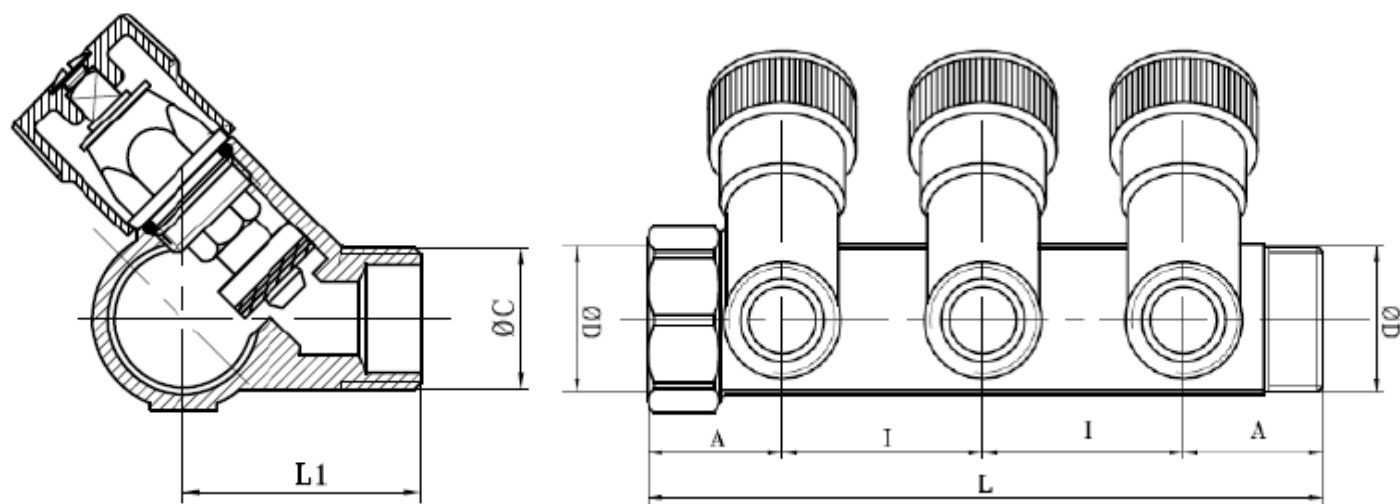


POS.	DESCRIPTION	N.	MATERIAL
1	BODY	X	BRASS CW617N UNI EN 12165
2	SCREW DOWN	X	BRASS CW614N UNI EN 12164
3	HANDWHEEL	X	ABS
4	SCREW	1	STEEL

ART.		N.
202B	X	2
203B	X	3
204B	X	4



OVERALL DIMENSION



CODE	ØC	ØD	I	A	L	L1
202B	1/2"	3/4"	36	24	84	35,5
203B	1/2"	3/4"	36	24	120	35,5
204B	1/2"	3/4"	36	24	156	35,5